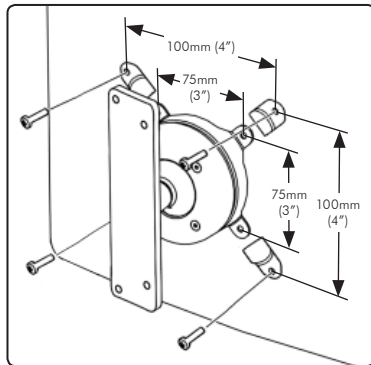


Technical Specifications SPACEDEC

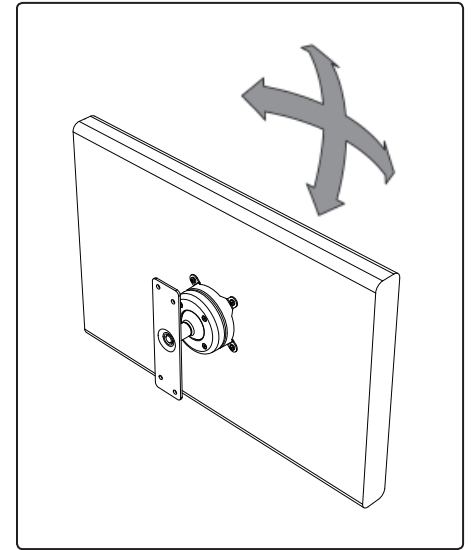
DISPLAY DIRECT WALL

General Features

- Screen Compatibility:** Suits LCD Flat Panel Displays from 12" (30cm) to 24" (61cm)
- Screen Weight:** Supports a maximum weight of 11.5kg (25.3lbs)
- VESA Screen Mounting Options:** Suits 75mm x 75mm (3" x 3") and 100mm x 100mm (4" x 4") VESA mounting hole patterns
- Colour:** Black
- Warranty:** Limited 5 years



Note: Extension Clips are included to suit VESA 100mm x 100mm (4" x 4") Mounting Hole Patterns.

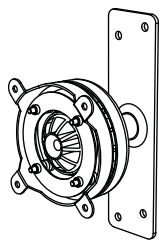


Features $\pm 40^\circ$ angular adjustment

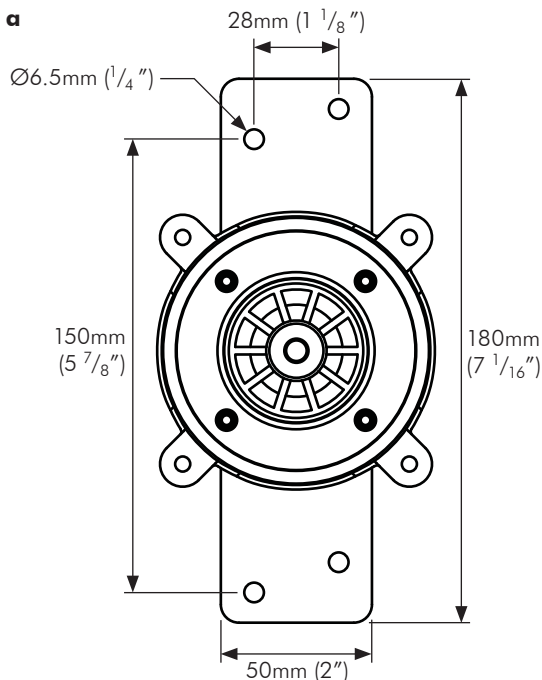
NOTE: The amount of tilt is limited by screen size.

Dimensions

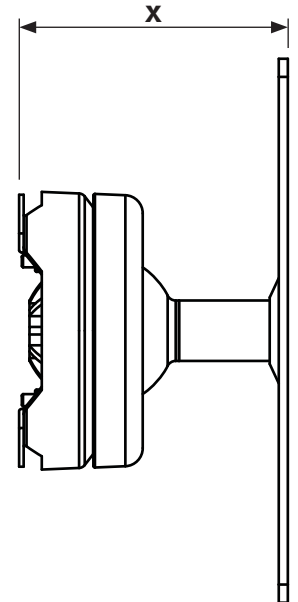
NOTE: Spacedec Display Direct Wall allows the user to secure the Spacedec arm to a concrete or timber stud wall.



Perspective View



Footprint of Mounting Plate



Side View

X = (from wall to back of screen)

DIRECT MOUNT 95mm (3 3/4")

QUICK RELEASE 120mm (4 3/4")
(not shown)

